

SANUS | SYSTEMS

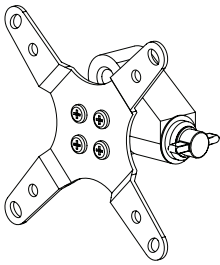
THE UNION OF FORM AND FUNCTION

Assembly Instructions for Model: VM1

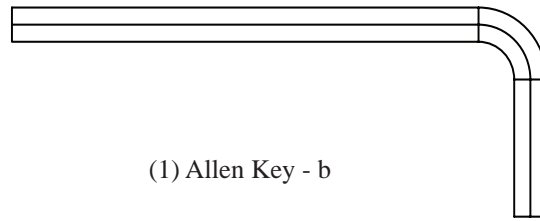
Thank you for choosing Sanus Systems Vision Mount. This product is designed to mount VESA 75/100 compatible LCD televisions up to 50 pounds onto a vertical wall. It allows you to effortlessly tilt and swivel your new television up to 15° in either direction without the use of tools. Check carefully to make sure there are no missing or defective parts. Never use defective parts. Improper installation may cause damage or serious injury. If you do not understand these directions, or have any doubts about the safety of the installation, please call a qualified contractor or contact Sanus at 800.359.5520 or www.sanus.com. We can quickly assist you with installation questions and missing or damaged parts. Replacement parts for Sanus products purchased through authorized dealers will be shipped directly to you.

Required Tools: Drill with 3/16" bit, 5/16" masonry bit, Phillips screw driver

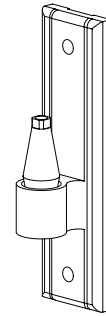
Parts and Hardware: *Not shown as actual size



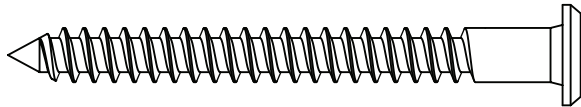
(1) Monitor Mount - a*



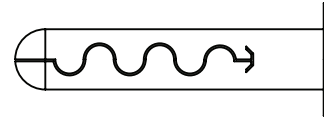
(1) Allen Key - b



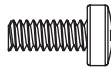
(1) Wall Plate - c*



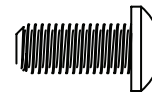
(2) Lag Bolt - d



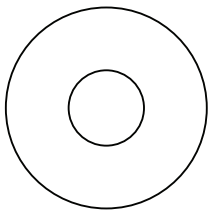
(2) Anchor - e



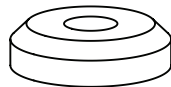
(4) M4 x 10 Bolt - f



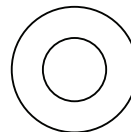
(4) Knob Replacement Bolt - g



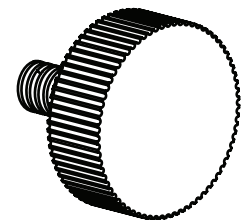
(1) Large Washer - h



(1) Cap - i



(1) Small Washer - j



(1) Knob - k

Step 1 - Attaching to the Television: Attach the Monitor Mount (a) to the back of your LCD television using the M4 x 10 Bolt (f) as shown in Diagram 1. Place 4 bolts through the Monitor Mount and tighten snugly into the VESA bolt mounting pattern on the back of the television. Make sure the large side of the tapered hole on the Monitor Mount faces toward the bottom of the television.

Step 2 - Attaching to the Wall: Hardware for **wood stud, concrete, brick and concrete block** mounting is provided.

Wood Stud Installation - Use a high quality stud sensor to locate a stud. It is a good idea to verify the stud location with an awl or thin nail. Use the Wall Plate (c) as a template to mark the two hole locations on the wall. Make sure these holes are aligned vertically and centered over the stud. Pre-drill the two holes to a depth of 2.5" using a 3/16" drill bit. Attach the Wall Plate to the wall using the two Lag Bolts (d) as shown in Diagram 2a. Tighten the Lag Bolts firmly with the Allen Key (b). See next page for Concrete installation instructions.

Diagram 1

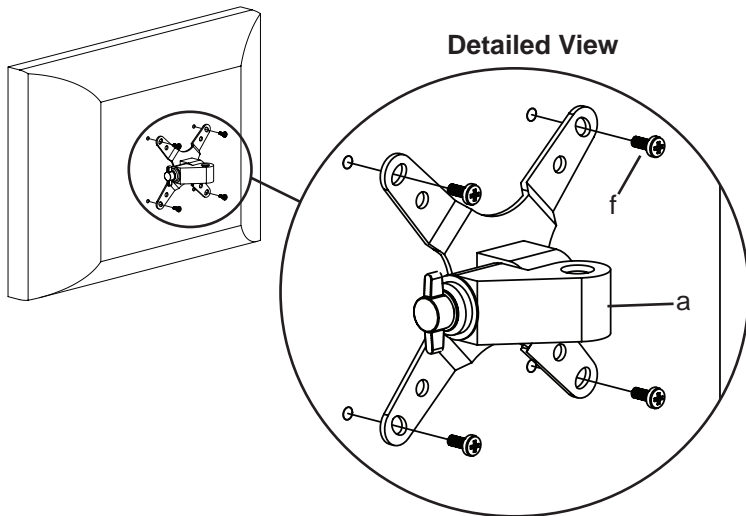


Diagram 2a

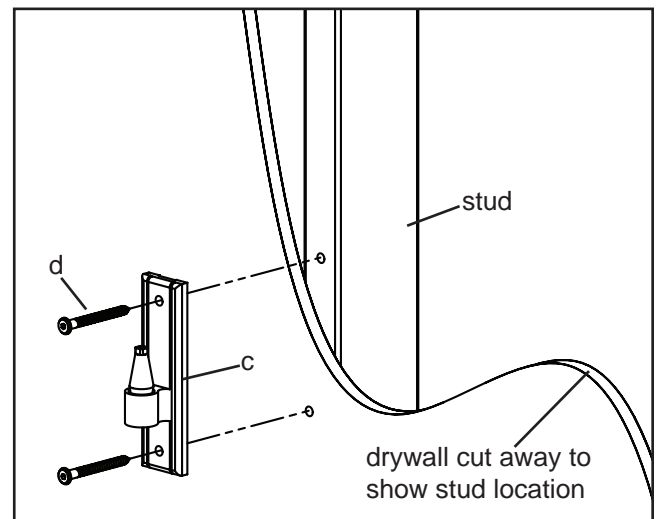


Diagram 2b

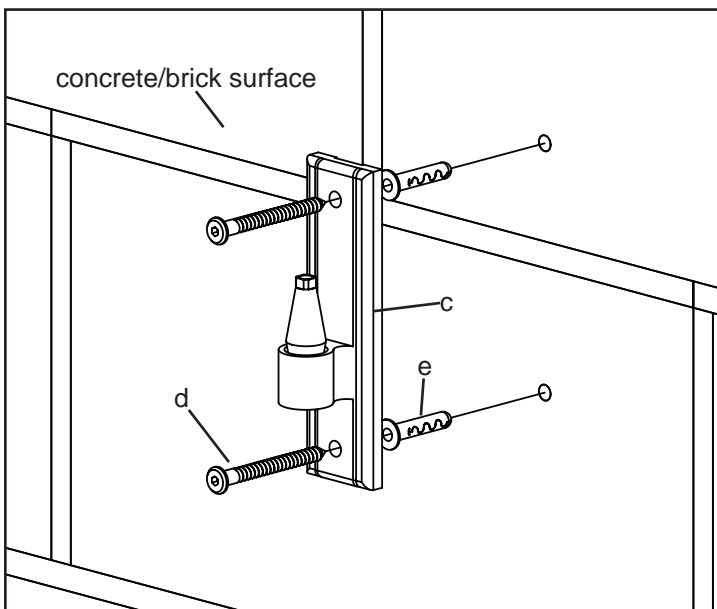
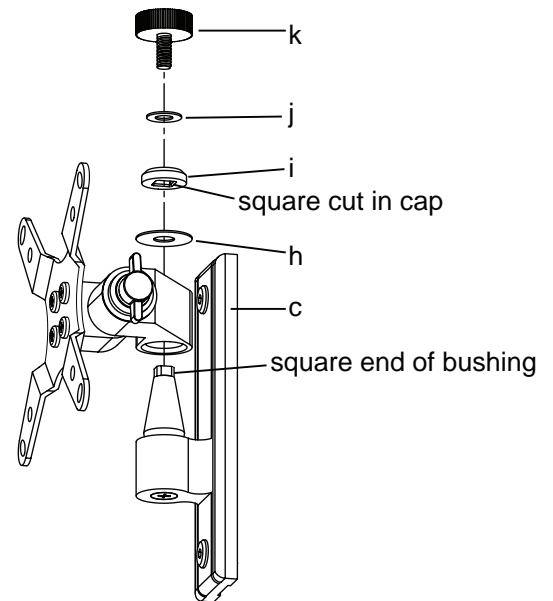


Diagram 3



Step 2 (cont.) - Concrete, brick and concrete block Installation

Use the Wall Plate (c) as a template to mark two locations. Using a 5/16" masonry drill bit, drill a hole at each location to a depth of 3". **Never drill directly into the Mortar in between bricks!** Tap an Anchor (e) into each hole. Drive a Lag Bolt (d) into each Anchor. **Once you have started driving the Lag Bolt, DO NOT stop until the Lag Bolt is tight.** See Diagram 2b.

Step 3 - Add Monitor Mount to Wall Plate: Once the LCD TV is attached to the Monitor Mount (a), and the Wall Plate (c) is properly installed, set the tapered hole in the Monitor Mount down over the cone shaped bushing on the Wall plate. This process is shown without the TV in Diagram 3 so that you can see the parts more clearly. Make sure the Monitor Mount is seated completely onto the Wall Plate. Add the Large Washer (h). Next add the Cap (i). Make sure the square cut into the cap fits over the square top of the Wall Plate bushing. Finally place the Knob (k) through the Small Washer (j), the Cap, the Large Washer and into the cone shaped bushing. You can now set each of the knobs to the desired level of tension.

Note: Tension can be easily adjusted with just the twist of the Knob (k). If you desire a greater amount of tension than you can achieve by tightening the Knob by hand, please use the Knob Replacement Bolt (i) and tighten with provided Allen Key (b).