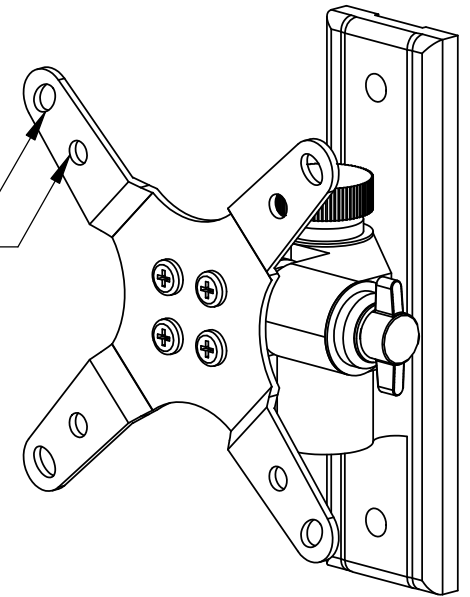
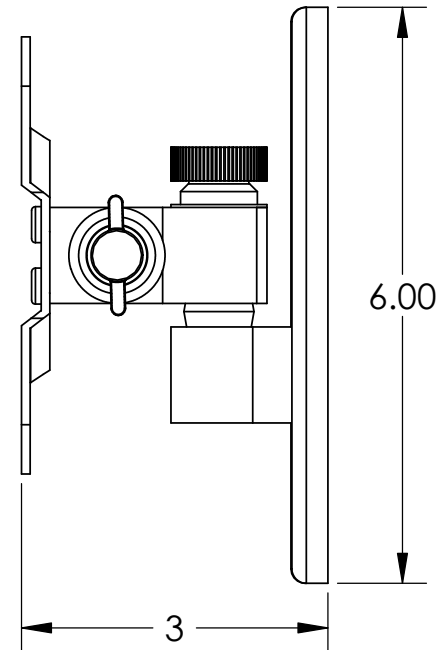


VESA 100 Mounting Holes
VESA 75 Mounting Holes



| | NAME | DATE |
|-----------|------|----------|
| DRAWN | NAS | 11/14/05 |
| CHECKED | | |
| ENG APPR. | | |
| MFG APPR. | | |
| Q.A. | | |

SANUS SYSTEMS

TITLE:

VM1 Cut Sheet

PROPRIETARY AND CONFIDENTIAL
THE INFORMATION CONTAINED IN THIS DRAWING IS THE SOLE PROPERTY OF SANUS SYSTEMS. ANY REPRODUCTION IN PART OR AS A WHOLE WITHOUT THE WRITTEN PERMISSION OF SANUS SYSTEMS IS PROHIBITED.

Tilt & Swivel
Wall Mount

SCALE: 1:2

SHEET 1 OF 1